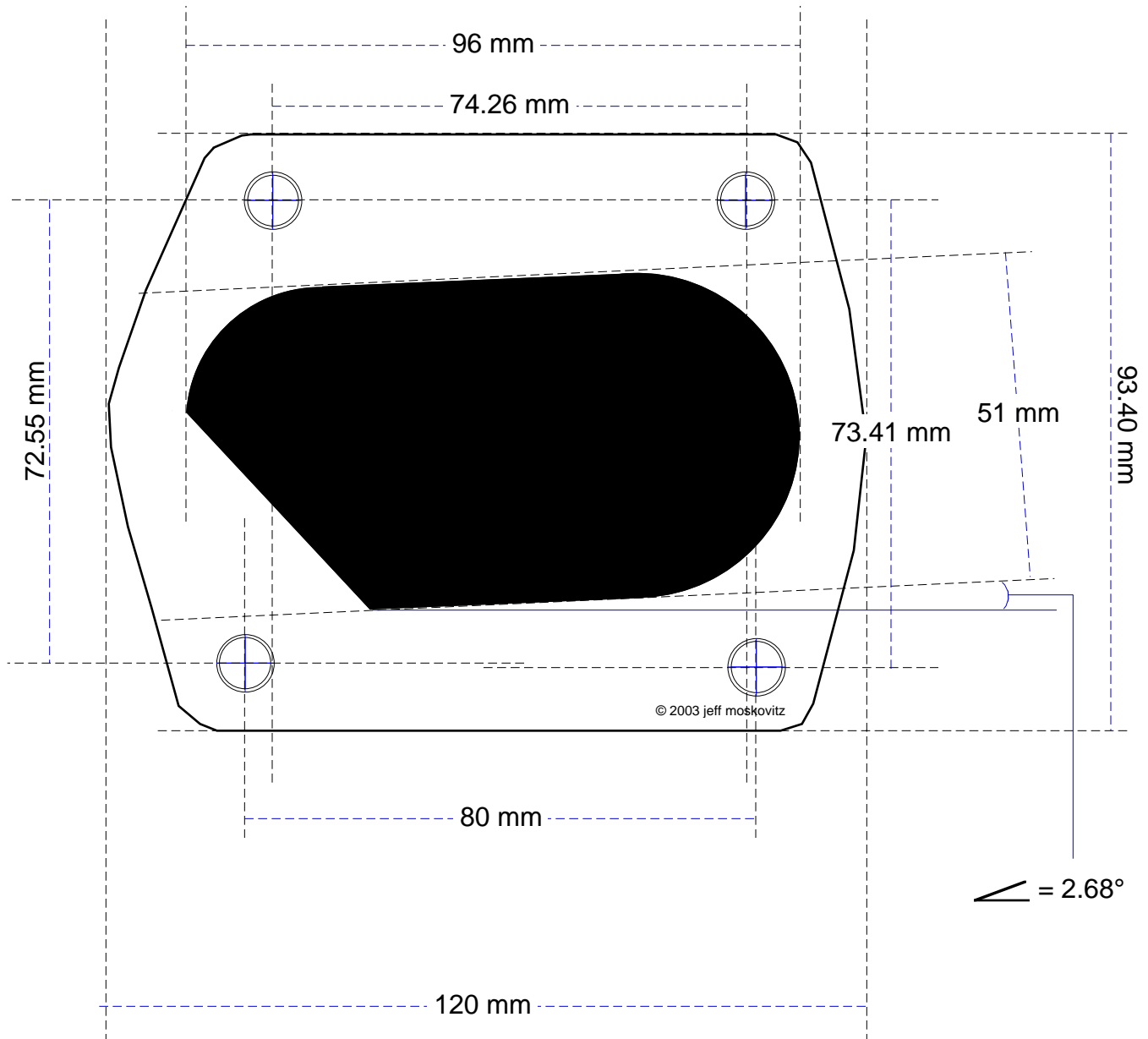


Drawing of a CT20 turbo exhaust flange

Construct flange from 16MM stock (5/8")



Note: The four mounting holes each have an inside diameter of 9 mm.